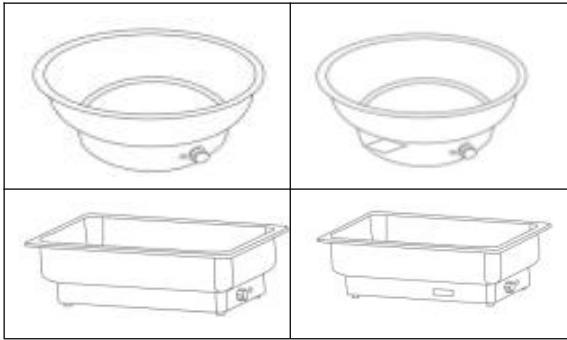


# Temperature Controlled Electric Heating Basin Operation instruction



To Users:

Thank you for choosing the temperature controlled electric heating basin manufacturing by our company.

The temperature controlled electric heating basin made by our company are with feature of good function performance and excellent quality.

In order to facilitate your use, make sure to read this information carefully before operation, follow the operate steps in the instruction, if you have any queries in using, please contact with our distributors. we are always waiting to provide service for you.

Please keep it in hand for future reference. Due to the continuous improve of the functions and quality of the product in the manufacturing process, the products you have purchased may not be exactly the same as that introduced in the instructions, we sincerely apologize for the inconvenience.

## ■ Product function; Scope of use

This product is a temperature adjustable heating method. It is suitable for heating and heat preservation of the cooked food. It can not be used to cook cold foods. When using this product to heat the cooked food, please do not use other heating devices at the same time.

## ■ Operation instruction

※ Please check whether your power supply voltage is consistent with the voltage on the product manual, and be reliably grounded before use.

### ① Power switch

The power switch is equipped with 0 and 1 two blocks, and is equipped with a indicator light to display the switch state. When the switch button is placed at the 1 position, the power supply is connected. The electric heating basin start working. When the button is placed at the 0 position, the power supply is disconnected and the electric heating basin stop working.

### ② Temperature controller, work indicator

The Temperature controller is used to adjust the water temperature in the electric heating basin, once the switch is connected, the heating plate starts to heat the water gradually, and the indicator or display on the temperature controller panel will light. When the water reach the setting temperature, power supply will auto shut off, the indicator or display will shut off too. When the water temperature is 15℃ lower then the presetting, the power will auto turn on again, the indicator lighting and the heating plate starts to heat, the process repeat, so that the water temperature is

kept in a relatively stable range and the food temperature in the food basin is moderate. When the control knob is adjusted to the maximum, the water temperature can reach  $90 \pm 10^{\circ}\text{C}$ , Please be noted that a small amount of water vapor will overflow from the edge of the food basin.

### ③ Water line

This product must inject into proper amount of water to work normally. The amount of water injected must completely inundate the raised position of the heating tray to avoid dry burning, otherwise it may shorten the service life of the product, damaging the product or caused risk.

If it is found that the food basin or the soup bucket has a floating phenomenon when used, it indicates that too much water can be reduced. If the cold water is injected, it takes about 20 minutes to heat it to the specified temperature. If warm water or hot water has injected, the heating time can be shortened correspondingly. After use, please pour out the water in the basin and dry the water around it.

## ■ Cautions

- ※ The electric heating basin is made of pure stainless steel and electricity is used to heat the water in the basin. No other type of energy can be used to heat the product (such as liquid alcohol, solid wax, etc.).
- ※ This product is designed to keep the food warm. Do not use it to cook food.
- ※ Please inject proper amount of water into the water, and not over or below the convex position of the

heating plate.

※ When cleaning the stainless steel product, please follow the next steps:

1. Pull off the power plug and disconnect the power supply.
2. If it has just been used, please wait until the product is completely cooled before proceeding with the next operation to avoid scalding.
3. Pull the electric power supply line directly by hand is not allowed, otherwise it may damage the inner link of the electric heating water basin, causing man-made damage which is out of our warranty.
4. It is prohibited to put the product directly into the water or washing in the water. Please use a soft wet cloth to clean, or wipe with a little detergent or alcohol. Otherwise, there will be electric shock, damage the product, or may a safety accident.





※ To avoid the product dumping and cause accidents, please place the product on a smooth surface.

※ Do not use water sprinkler to clean the product

## ■ Customer service

If the product can not work normally under normal use and maintenance conditions. Free warranty is provided within 3 months from the date of sale. The surface scratches and heating plate are not include in the warranty, the warranty is limited to the replacement and maintenance of the internal electric components. Please contact your seller and repair by self is strictly prohibit. Our company is not responsible for the harm caused by self maintenance.

## ■ Specification and Model

	circular temperature controlled electric heating basin	model	EW2101
		material	stainless steel
		size	Φ 38×18cm
		power rating	220V,50HZ,600W
	circular temperature controlled and digital display electric heating basin	model	EW2101X
		material	stainless steel
		size	Φ 38×18cm
		power rating	220V,50HZ,600W
	rectangular temperature controlled electric heating basin	model	EW2301
		material	stainless steel
		size	55×34.5×18cm
		power rating	220V,50HZ,800W
	rectangular temperature controlled and digital display electric heating basin	model	EW2301X
		material	stainless steel
		size	55×34.5×18cm
		power rating	220V,50HZ,800W